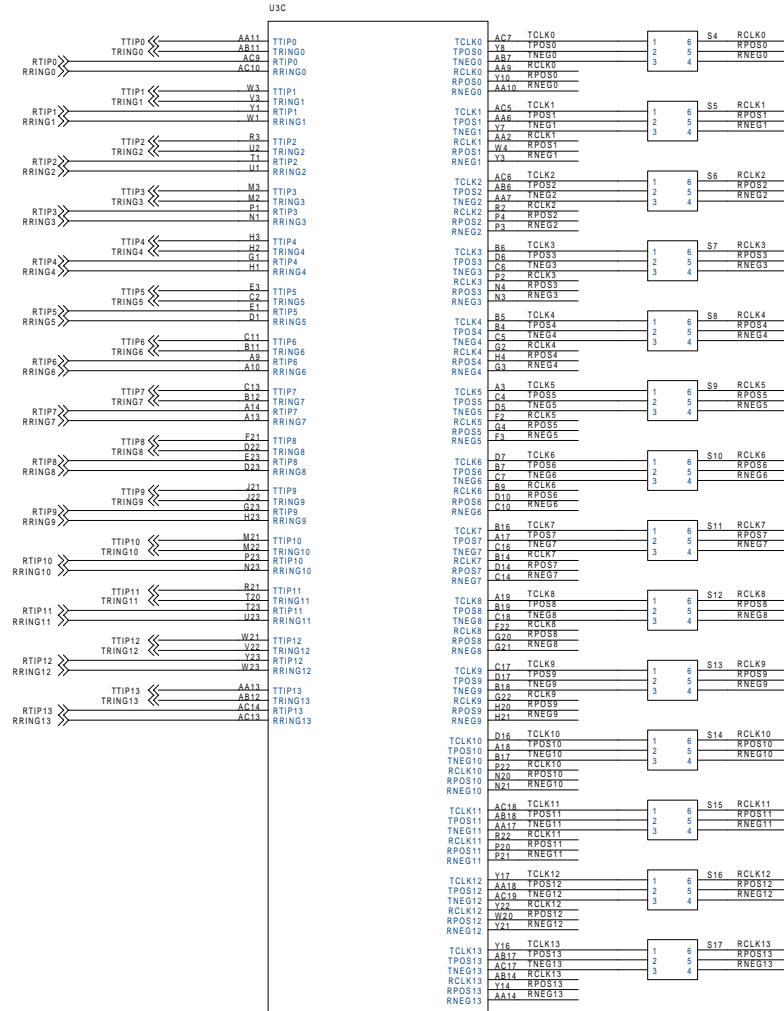
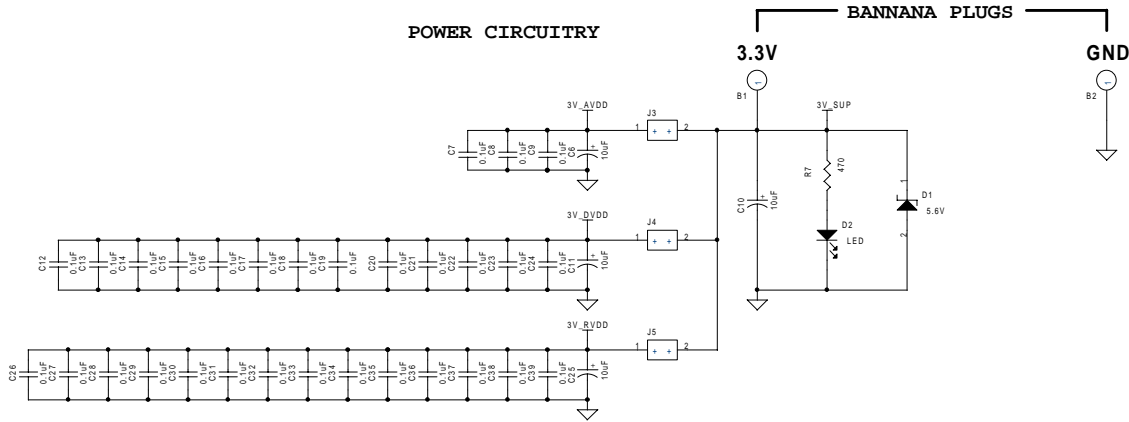


XRT83L314 ANALOG INTERFACE

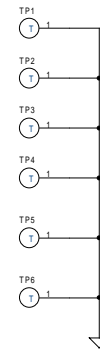


XRT83L314

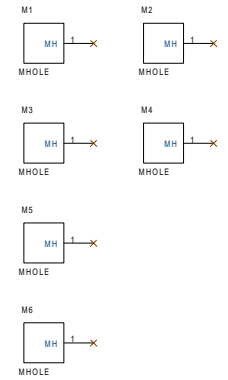
**POWER CIRCUITRY**



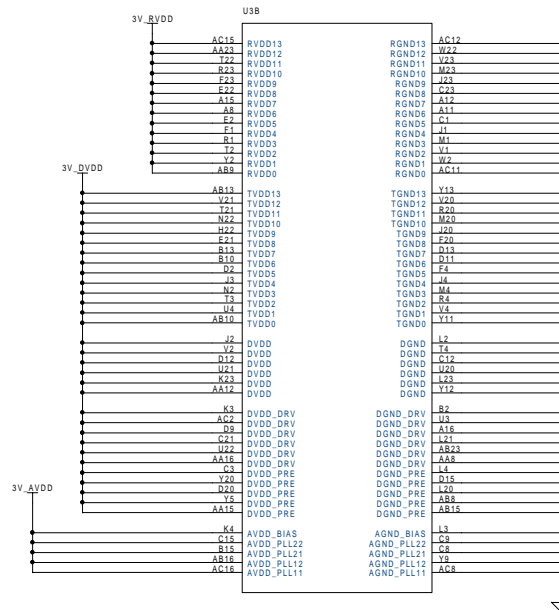
**GROUND POINTS**



**MOUNTING HOLES**



**XRT83L314 POWER PINS**



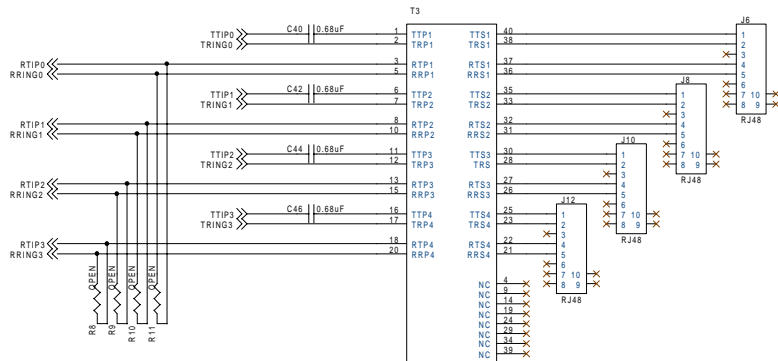
**XRT83L314**

Design File Name = H:\SCHEMATIC\SIPDF\XRT83L314.DSN

<b>EXAR AD Infinitum</b>		
File: XRT83L38/L38		
Size: C	Document Number: XRT83L38/L38 LONG HAUL, SHORT HAUL LIU	Rev: A
Date: Monday, December 09, 2002	Sheet: 3	of: 6

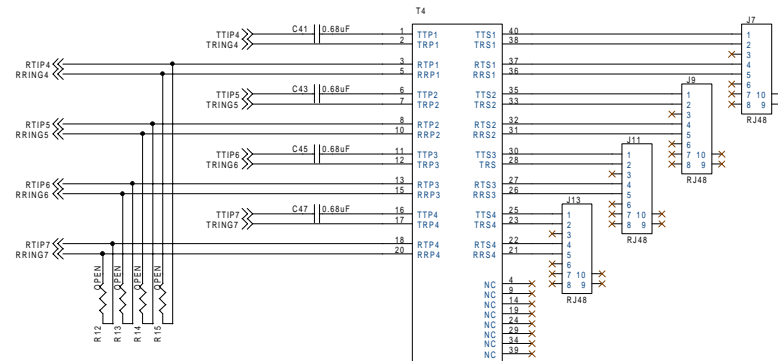
## TRANSFORMER INTERFACE (SMD408-19)

### CHANNELS 0 - 3



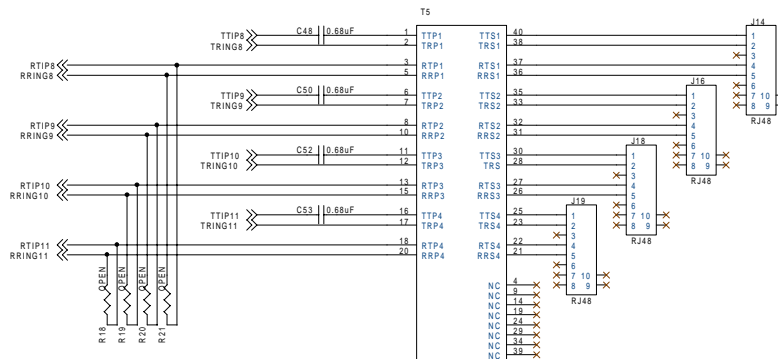
SEE TABLE 1

### CHANNELS 4 - 7



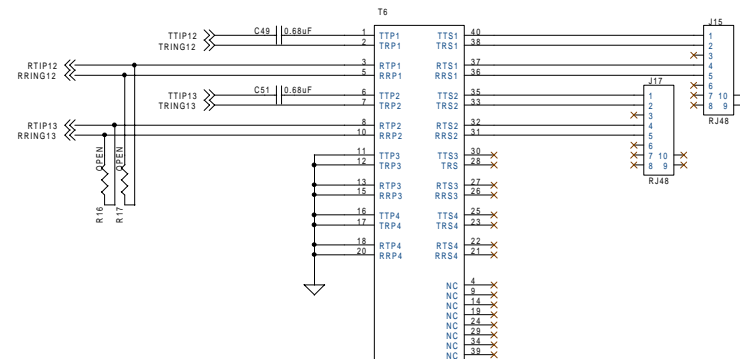
SEE TABLE 1

### CHANNELS 8 - 11



SEE TABLE 1

### CHANNELS 12 - 13



SEE TABLE 1

TABLE 1 TRANSFORMER SELECTION

TRANSFORMERS	
TRANSPower	SMD408ET-15
PULSE	T1108
HALO	TG83-1505NX

NOTE: PART REFERENCES ONLY, CONTACT VENDORS FOR PINOUT INFORMATION

Design File Name = H:\SCHEMATIC\SIPDF\XRT83L314.DSN

<b>EXAR AD Infinitum</b>		
File	XRT83SL38/L38	
Size	Document Number	Rev
C	XRT83SL38/L38 LONG HAUL, SHORT HAUL LIU	A
Date:	Monday, December 09, 2002	Sheet 4 of 6